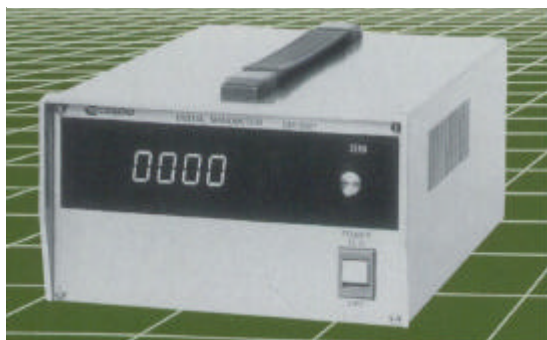


Highly precise digital pressure gauge with full 4-digit wide display

model DM-3501



model DM-3501B



FEATURES

- **Various measuring ranges (Refer to the range table below)**
- **Built-in accurate sensors**
 The Micro Differential pressure sensor is an inductance type, which can withstand up to 10 times of full scale.
 The Gauge and Absolute pressure sensors are, a capacitance type whose diaphragm is high corrosion resistant and capable of quick response.
- **Analog output**
- **Various options**
 - High corrosion resistance sensor made of SUS316 (for limited range)
 - Separated installation of sensor
 - BCD output
 - Pressure/Vacuum dual pressure type
 - Panel mount
- **Non-SI unit indication is also available (only for export).**

RANGE

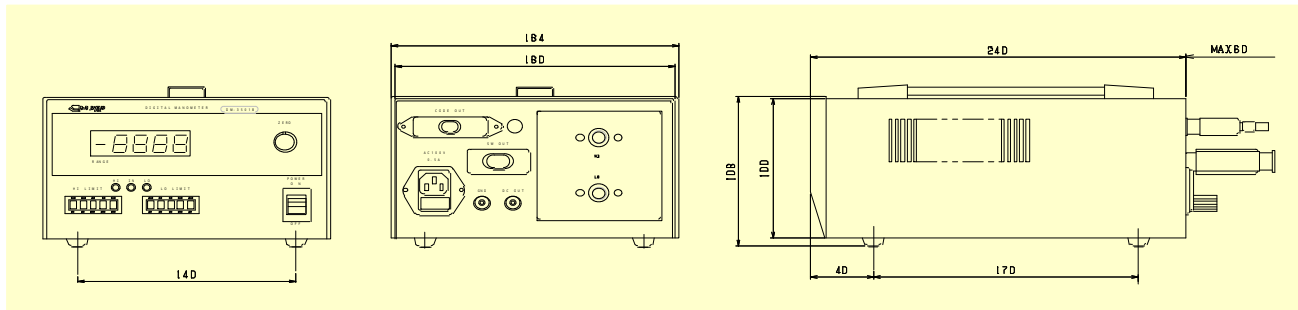
Differential Pressure		Gauge Pressure (Press / Vacuum)		
0 ~ 200 Pa (20 mmH ₂ O)	0 ~ 50 kPa (0.5 kg/cm ²)	0 ~ 50 kPa (0.5 kg/cm ²)	0 ~ 10 MPa (100 kg/cm ²)	0 ~ 100 kPa abs (760 Torr)
0 ~ 500 Pa (50 mmH ₂ O)	0 ~ 100 kPa (1 kg/cm ²)	0 ~ 100 kPa (1 kg/cm ²)	0 ~ 20 MPa (200 kg/cm ²)	
0 ~ 1 kPa (100 mmH ₂ O)	0 ~ -100 kPa (-760 mmHg)	0 ~ 200 kPa (2 kg/cm ²)	0 ~ 100 kPa (760 mmHg)	
0 ~ 2 kPa (200 mmH ₂ O)		0 ~ 500 kPa (5 kg/cm ²)	0 ~ -100 kPa (-760 mmHg)	
0 ~ 5 kPa (500 mmH ₂ O)		0 ~ 1 MPa (10 kg/cm ²)		
0 ~ 10 kPa (1000 mmH ₂ O)		0 ~ 2 MPa (20 kg/cm ²)		
0 ~ 20 kPa (2000 mmH ₂ O)		0 ~ 5 MPa (50 kg/cm ²)		

SPECIFICATIONS

	Micro differential pressure	Gauge / Absolute pressure
Measuring Gas	Noncorrosive gas	Noncorrosive gas compatible of SUS 630
Sensing Element	Beryllium copper	SUS630 (SUS316 also available)
Transducer Type	Inductance type	Capacitance type
Accuracy	$\pm 0.15\%$ of F.S. ± 1 digit	$\pm 0.15\%$ of F.S. ± 1 digit
Temperature Characteristic (Zero)	± 0.03 of F.S. /	± 0.03 of F.S. /
Temperature Characteristic (Span)	± 0.03 of F.S. /	± 0.03 of F.S. /
Allowable Over Pressure	<ul style="list-style-type: none"> ◆ Less than 50 kPa : 10 times the full scale ◆ Larger than 50 kPa : 5 times the full scale 	<ul style="list-style-type: none"> ◆ Less than 10 MPa : Twice the full scale ◆ Larger than 10 MPa : 1.5 times the full scale
Max. line pressure	Twice the Allowable over pressure	
Error of Max. line pressure	$\pm 0.5\%$ of F.S. (within allowable over press.)	
Response (step response)	380 ms max / 99 % of F.S.	110 ms max / 99 % of F.S.

	Micro differential pressure	Gauge / Absolute pressure
Display Digits	4 digits / Indication range: 0000 ~ ± 9999	
Sampling Rate	4 cycles/sec	
Comparator	<ul style="list-style-type: none"> ◆ Upper/Lower limit digital setting ◆ Contact capacity AC 100 V 0.5 A 	
Analog Output	Output impedance: Min. 5 k Ripple: 10 mV[p-p], max.	
Power Source	AC 100 V ± 10 V 50/60 Hz, 0.5 A (AC 110 V also available)	
Warm-up Run	15 minutes	
Pressure Connection Port	Rc(PT) 1/8 (Female fitting)	
Ambient Temperature	5 - 40	
Options	<ul style="list-style-type: none"> ◆ With BCD output ◆ Panel mount ◆ Sensor separation ◆ Press/Vac dual press. type 	

DIMENSIONS



COSMO INSTRUMENTS CO., LTD.
 2974-23 ISHIKAWA
 HACHIOJI, TOKYO 192-0032
 JAPAN

Phone: 0426-42-1357
 Fax: 0426-46-2439

Overseas Operations:

U S OFFICE

FARMINGTON, MI PHONE: 1-248-488-2580
 FAX: 1-248-488-2894

KOREAN OFFICE

SEOUL, KOREA PHONE: 82-2-593-1357
 FAX: 82-2-593-0669

DIAFRIEND CORPORATION

TAIPEI, TAIWAN R.O.C. PHONE: 886-2-27121050
 FAX: 886-2-27160498

WAVE ELECTRONICS & ELECTRICAL SYSTEM

DARUL EHSAN, MALAYSIA PHONE: 603-33716308
 FAX: 603-33731397

ZHENJIANG TWSC ELECTRONIC MEASUREMENT CO., LTD.

SHANGHAI, CHINA PHONE: 86-21-64379932

FAX: 86-21-64379932

G.D. TECHCENTRE LTD.

BANGALORE, INDIA PHONE: 91-80-666-0782

FAX: 91-80-666-0783

FLETCHER-MOORLAND LIMITED

(SERVICE REPRESENTATIVE) PHONE: 44-1782-411021

STOKE-ON-TRENT, U.K. FAX: 44-1782-744470

Distributed by: